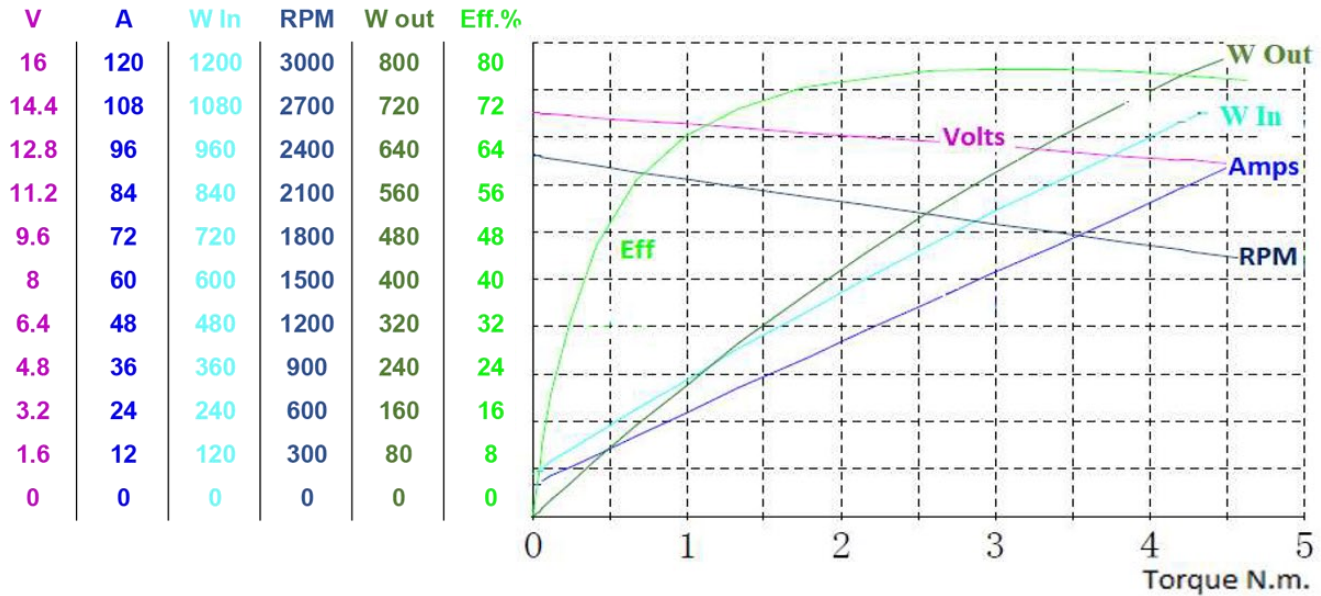


Model: MM1012FC

Description: MaxMotion 1HP, 1750RPM, 12VDC, TEFC, 56C

Tester: 01

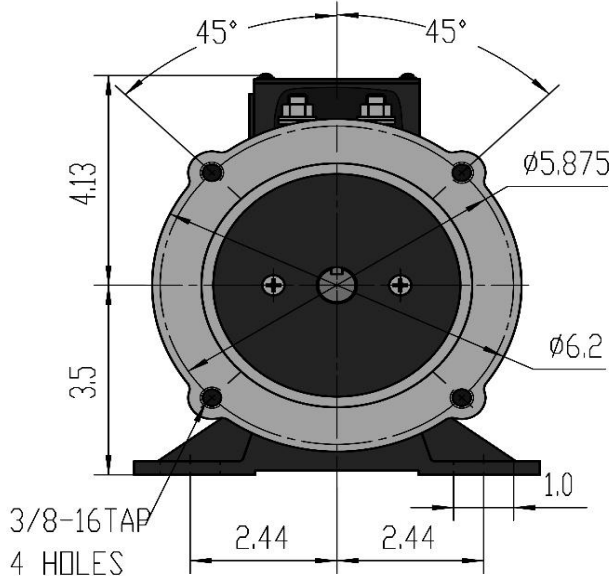
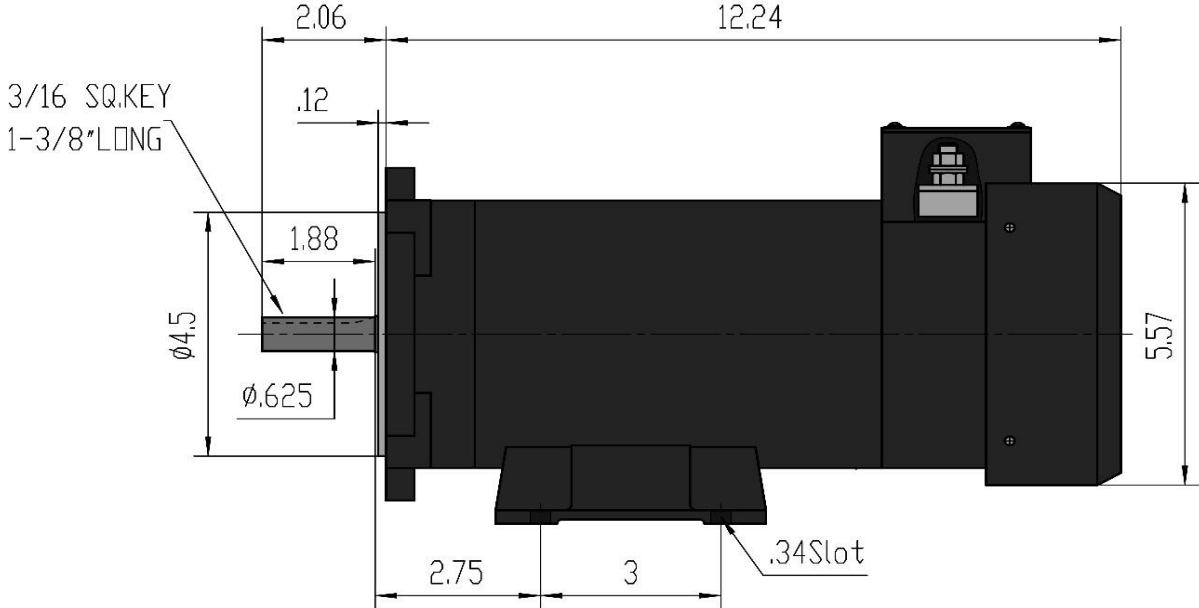
Test Date: 2018.04.24



Measured Points	V	A	Input Watts	N.m.	RPM	Output Watts	%
No Load	13.6	8.031	109.2	0.00	2283	0.478	40.0%
Rated	11.99	84.25	1010	4.28	162	750	74.3%
Efficiency Max.	12.34	68.26	842.6	3.38	1795	634.9	75.3%
Max. Kw Output	11.84	90.3	1069	4.62	1625	785.7	73.5%
Max. Torq. Output	11.84	90.3	1069	4.62	1625	785.7	73.5%
End	11.84	90.3	1069	4.62	1625	785.7	73.5%

Load	Measure	V	A	Input Watts	N.m.	RPM	Output Watts	%
0.1%	1	13.6	8.031	109.2	0.00	2283	0.48	0.4%
0.4%	2	13.6	8.152	110.8	0.01	2283	3.35	3.0%
1.1%	3	13.59	8.364	113.7	0.04	2281	8.60	7.6%
2.0%	4	13.58	9.037	122.8	0.06	2273	15.23	12.4%
3.9%	5	13.55	10.39	140.8	0.12	2263	29.38	20.9%
7.5%	6	13.5	12.54	169.2	0.24	2244	55.92	33.0%
12.8%	7	13.44	15.68	210.7	0.41	2218	96.14	45.6%
20.4%	8	13.33	20.33	271.0	0.67	2179	153.3	56.6%
29.4%	9	13.22	25.99	343.7	0.99	2134	220.3	64.1%
39.0%	10	13.1	32.48	425.4	1.34	2083	292.7	68.8%
49.8%	11	12.94	39.87	515.9	1.76	2025	373.2	72.3%
59.2%	12	12.8	46.96	601.2	2.15	1968	443.8	73.8%
68.6%	13	12.64	54.13	684.5	2.57	1912	514.5	75.2%
76.9%	14	12.5	61.3	766.0	2.97	1854	576.5	75.3%
84.7%	15	12.34	68.26	842.6	3.38	1795	634.9	75.3%
91.9%	16	12.17	75.54	919.2	3.79	1737	689.6	75.0%
98.8%	17	12.03	82.76	995.4	4.2	1684	741.2	74.5%
100.0%	18	11.99	84.25	1010	4.28	1672	750.0	74.3%
104.8%	19	11.84	90.3	1069	4.62	1625	785.7	73.5%

MaxMotion



Customer is responsible in determining that MaxMotion product will fit/performance suitably in the intended application

Version: 1NIN

Revised: April 2020

HP	RPM	Voltage	Amps	Const.	Frame	Insul.	Torque	P. Code	Wgt lbs	Rated
1	1750	12Vdc	95,4	TEFC	56C	Class H	36 in/lbs	K (SCR)	32	IP45

MM1012FC

LOW VOLTAGE DC PERMANENT MAGNET MOTOR

HEAVY GAUGE ROLLED STEEL CONSTRUCTION | TENV TOTALLY NON-VENTILATED & TEFC TOTALLY ENCLOSED FAN COOLED SCR RATED, 12, 24, 48VDC

MaxMotion

Applications:

Low voltage permanent magnet DC motors are suitable for installations having batteries or generator supplied low voltage DC.



Features:

Design - Low voltage

Construction - Rolled Steel, NEMA C-Face Footed with Removable Base

Agency listings and standard - NEMA, UL Recognized and CSA Certified, RoHS Compliant

Service Factor - 1.0

IP Rating - IP45

Insulation - Class F Insulation

Speed Range - 20:1 Constant Torque, Linear Speed/Torque Characteristics over entire speed range

Voltage - 12V, 24V & 48V

Bearings - Permanently Lubricated High quality Double Shielded Ball Bearings

Enclosure Protection - (TEFC) Totally Enclosed Fan Cooled & (TENV) Totally Enclosed Non-Ventilated

Duty - Continuous

Warranty - 18 Months

LOW VOLTAGE DC PERMANENT MAGNET MOTOR

HEAVY GAUGE ROLLED STEEL CONSTRUCTION | TENV TOTALLY NON-VENTILATED & TEFC TOTALLY ENCLOSED FAN COOLED SCR RATED, 12, 24, 48VDC



HP	FL RPM	VOLTS	FRAME	CAT NO.	CONSTRUCTION	ENCLOSURE	NOM EFF.	F.L. AMPS	DE BEARING	NDE BEARING	WT (Lbs)	"C" Dimension (Inch)
0,25	1680	12	56C	MM2512NV	ROLLED STEEL	TENV	62,40%	30,9	6203	6203	21	10,01
	1680	12	56C	MM2512FC	ROLLED STEEL	TEFC	62,40%	30,9	6203	6203	21	11,6
	1758	24	56C	MM2524FC	ROLLED STEEL	TEFC	62,80%	15,46	6203	6203	21	11,6
	1815	48	56C	MM2548FC	ROLLED STEEL	TEFC	67,50%	7,73	6203	6203	21	11,6
1/3	1789	12	56C	MM3312NV	ROLLED STEEL	TENV	71,30%	38,3	6203	6203	23	10,01
	1789	12	56C	MM3312FC	ROLLED STEEL	TEFC	71,30%	38,3	6203	6203	23	11,6
	1527	24	56C	MM3324NV	ROLLED STEEL	TENV	64,80%	19,1	6203	6203	23	10,01
	1527	24	56C	MM3324FC	ROLLED STEEL	TEFC	64,80%	19,1	6203	6203	23	11,6
	1753	48	56C	MM3348FC	ROLLED STEEL	TEFC	71,40%	9,56	6203	6203	23	11,6
0,5	1714	12	56C	MM5012NV	ROLLED STEEL	TENV	70,90%	47,16	6203	6203	25	10,95
	1714	12	56C	MM5012FC	ROLLED STEEL	TEFC	70,90%	47,12	6203	6203	25	12,49
	1646	24	56C	MM5024FC	ROLLED STEEL	TEFC	77,90%	23,56	6203	6203	25	12,49
	1678	24	56C	MM5048NV	ROLLED STEEL	TENV	78,50%	11,78	6203	6203	25	10,95
	1678	48	56C	MM5048FC	ROLLED STEEL	TEFC	78,50%	11,78	6203	6203	25	12,49
0,75	1573	12	56C	MM7512FC	ROLLED STEEL	TEFC	73,80%	73,6	6203	6203	30	13,55
	1775	24	56C	MM7524FC	ROLLED STEEL	TEFC	75,20%	31,8	6203	6203	30	13,55
1	1672	12	56C	MM1012FC	ROLLED STEEL	TEFC	74,30%	95,4	6203	6203	32	14,3
	1764	24	56C	MM1024FC	ROLLED STEEL	TEFC	77,10%	47,7	6203	6203	32	14,3

